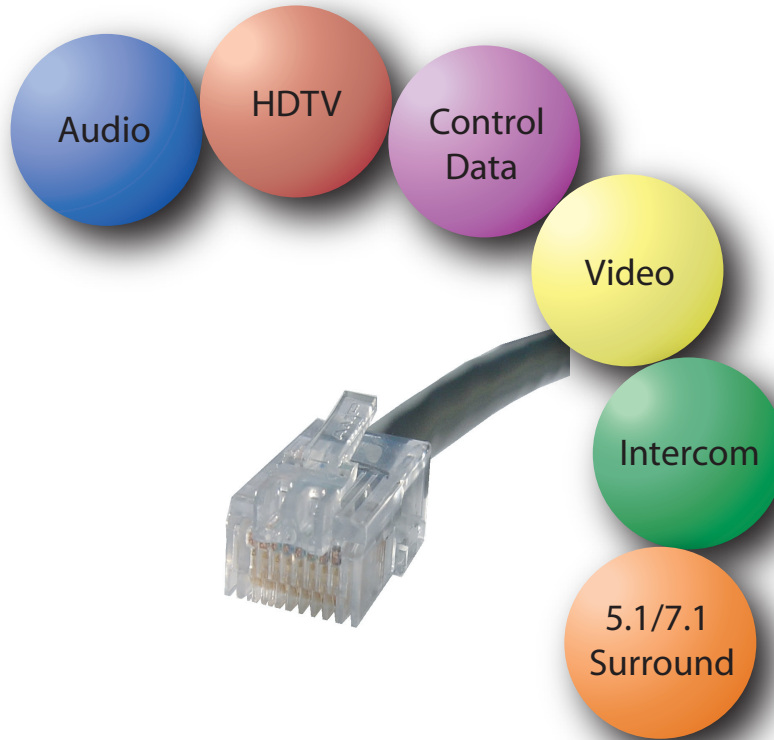

NETWORKSOUND



MediaNet



Mamba Product Manual

Mamba Digital Snake Manual

Thank You for purchasing Mamba Digital Snake System. We hope this product manual covers setup, operation and maintenance of Mamba Digital Snake System as well as answer to any of your technical questions.

Index:

1. Mamba Digital Snake Features
2. Description of various features and sub system of Digital Snake
3. How to connect Mamba Digital Snake System (Point-to-point and Splitter)
4. Connecting Mamba with external Micpre's
5. PR8E Micpre technical details
6. EP84 Micpre technical details
7. RS232 pass thru via Mamba digital snake
8. Mamba Digital Snake technical specification
9. Troubleshooting guidelines
10. Warranty information
11. Safety instructions

If you have any questions or comments to improve the Mamba Digital Snake system or manual, please email or call NetworkSound, Inc @ info@networksound.com or 408 434 9393

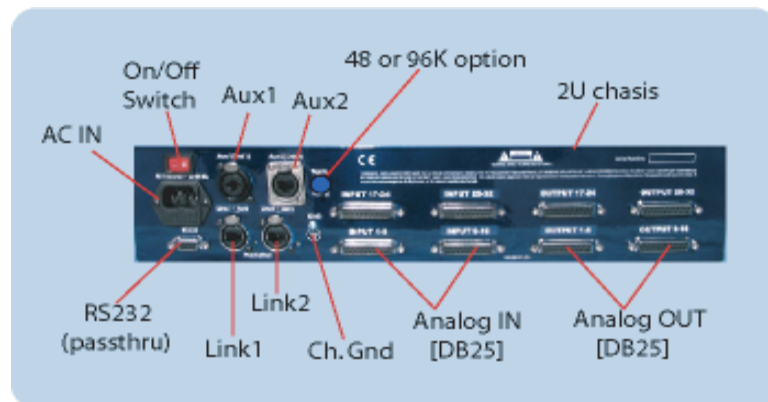
The information contained in this manual is subject to change with out notice. No part of this manual may be reproduced or photocopied or produced in web site or other electronic forms or any kind with out prior written permission from NetworkSound, Inc.

Mamba Digital Snake Manual

NetworkSound digital snake use our patent pending MediaNet protocol to deliver high quality synchronized audio over a standard CAT-5/6 cable. MediaNet features include synchronous uncompressed audio delivery, built in CAT-5/6 cable redundancy, and latency less than 200 microsecond (I2S to I2S) over 450 feet / 140 meter CAT-5/6 cable. Our digital audio snakes offer added flexibility by supporting multiple configurations, including point to point, split and daisy chain. The snakes are plug and play, so setup is quick and easy, making them ideal for installations where assembly and disassembly are frequent. We have several configurations available in our Mamba line of Snakes. We also provide custom snake solutions

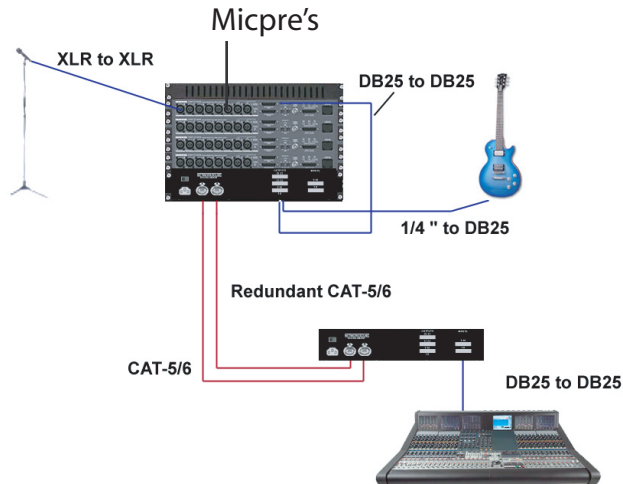
Key Features:

- Plug and Play operation
- Uses Standard CAT-5/6 for synchronous delivery over distances up to 140 m, 450 ft
- Low latency (less than 200 microsec I2S-I2S)
- End to End Analog delay <600 microsec (96K) & <1 ms (48K)
- Built in cable redundancy
- DB25 Audio I/Os and Unity gain
- RS232 pass-through for remote control, etc
- Aux 1 and Aux 2 - Dedicated 2 pair of twisted pair for intercom, XLR or Internet traffic terminated on XLR or RJ45
- 48 or 96K sample rate selection
- Works with a standard switch for CAT-5/6 extension
- Works over any external media converter for fiber extension
- Managed Gigabit switch (VLAN) for Audio and other traffic over same CAT-5/6 or Fiber (CLICK HERE for More info...)
- Neutrik Ethercon for ruggedized CAT-5 connection
- Sleek rack-mountable boxes with solid steel body
- 2 year limited warranty
- Excellent customer support
- Stand alone operation and preconfigured I/O
- High-quality 24 bit uncompressed audio at 96 or 48 kHz
- No audio cross-talk, or ground loop problems



Cable redundancy: A piece of mind feature supported in NetworkSound digital snakes, cable redundancy is supported between two Cat-5/6 cables. The failure of a cable is detected and transport is transferred to the redundant Cat-5/6 cable automatically in less than 60 micro seconds, leaving no audible lapse in sound. If two working Cat-5/6 cables are connected, the Mamba automatically selects which is the primary and which is the redundant.

Mamba Digital Snake Manual



Example Mamba Setup:

Both the stage and the FOH Mamba use DB25 connectors for input and output. In this example setup, a guitar is connected to the stage Mamba via a 1/4" to DB25 cable. A microphone is also attached to the stage Mamba via a microphone pre-amp. The microphone is connected to the Mic-Pre via a regular XLR to XLR cable, and the output from the Mic-Pre is connected to the stage Mamba via a DB25 to DB25 cable.

The stage Mamba is connected to the FOH Mamba via two Cat-5/6 cables with one cable being the primary, and the other as a backup. The FOH Mamba is then connected to a mixer using a DB25 to DB25 cable.

LED Indicators:

There are four LED indicators on the front of each Mamba unit. The **Power** LED indicates that the unit is powered on. The two **Link** LEDs indicate if the Mamba has successfully been linked via Cat-5/6 to another Mamba unit. If both LEDs are lit, the Mamba units are connected by both a primary and redundant Cat-5/6 connection. If only one LED is lit, there is only one primary connection between the Mamba units. The Sync LED indicates that the Mamba units are in sync. If there is a problem, the Sync LED would either blink or OFF. In such case, power on reset to all units should resolve the problem.



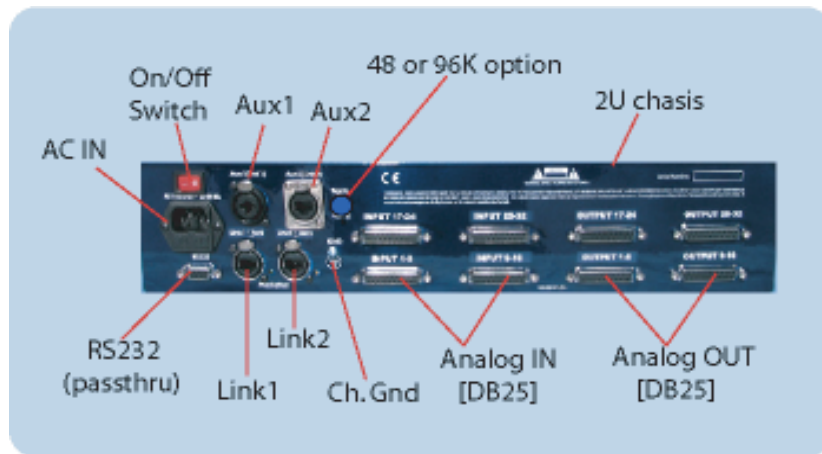
Mamba Digital Snake Manual

AC IN :- Power inlet. AC ~ 110 - 240 V Universal Power input. 50-60 Hz.
Typical power consumption: 16X16 :- 20W, 32X32 :- 30 W, 48X48 :- 40 W and 64X64 :- 50 W

Power Switch: On/Off switch to power on and off the unit. Power LED (RED) in front indicates that the unit is powered.

Link 1 and Link 2 :- MedianNet Synchronized audio links. Connect one CAT-5 or CAT-6 cable per port. Both ports are Neutrik ethercon for added strength and protect CAT-5 cable connection
These links **MUST** be connected to another Mamba units for proper operation
The distance for CAT-5 is up to 140 meter or 450 feet.

RS232 :- Connect any RS232 terminal or device in to this port. The RS232 is pass thru, which means data sent from one Mamba unit e.g stage box will be available on other unit e.g FoH unit.
The RS232 is set to 19200 bps, 8 data bits, no stop bits and no flow control. The RS232 is bi-directional so you can send and receive data on each side simultaneously.



48 or 96 K option :- This option would select the sample rate of ADC and DAC for analog to digital conversion. All units should be in the same sample frequency for proper operation. 16X16 and 32X32 units would operate on 96K by default. 48X48 and 64X64 units would operate in 48k by default.

Analog In and Out: DB25 compatible with Tascam or Fostex provide a easy way to add 8 channels. each DB25 is 8 channel and you can use DB25 breakout cables with XLR Male, XLR Female or TRS breakout connectors based on your other end of connection. DB25 provides an easy way to connect a mixing board that has already DB25 analog or even DB25 breakout since it reduces cable at the FoH and Mon Mix boards.

Aux1:

2 pair of CAT-5 available for any use
Pass thru over Link 1 / FoH CAT-5
RJ45 Neutrik Ethercon or XLR F/TRS combo or XLR M (Options)
RJ45 - 1,2,3,6 - Use for LAN or IP traffic
XLR - Hot, cold, and Ground Use for Intercom,
Analog pass thru
Available only when direct CAT-5 is connected between mamba boxes
(won't work if any Ethernet switches in the middle)

Aux 2:

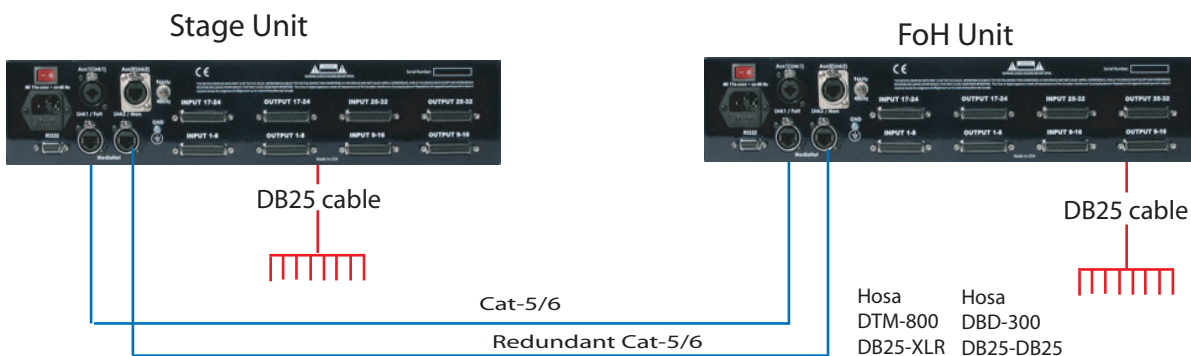
2 pair of CAT-5 available for any use
Pass thru over Link 2 / Mon
RJ45 Neutrik Ethercon or XLR F/TRS combo or XLR M (Options)
RJ45 - 1,2,3,6 - Use for LAN or IP traffic
XLR - Hot, cold, and Ground Use for Intercom,
Analog pass thru
Available only when direct CAT-5 is connected between mamba boxes
(wont work if any Ethernet switches in the middle)

Mamba Digital Snake Manual

Connecting the Mamba:

Point to Point:

The Mamba LLP (Line Level Point-to-Point) system is comprised of one "Stage" unit and one "FoH" unit. The stage unit can be connected with up to 64 line-level audio input channels, and 64 outputs via its analog DB25 connections. Standard DB25 to XLR and DB25 to DB25 cables may be used, like those compatible with Fostex or Tascam available from vendors such as Hosa and others. Connect the outputs from your micpre units or direct line level inputs to the Inputs labeled Input 1-8 to Input 57-64. Same way, connect the outputs labeled Outputs 1-8 to 57-64 to your mixer or speakers, etc.

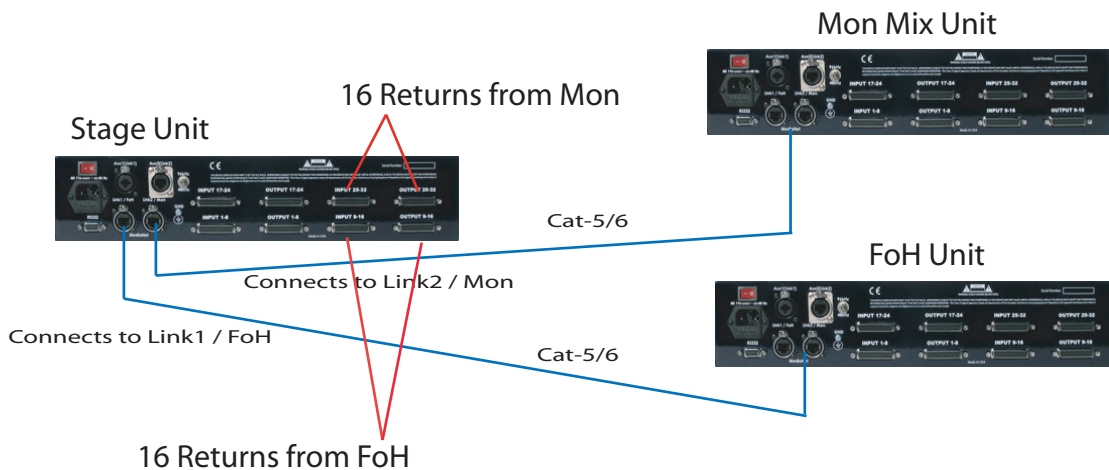


Splitter:

The Mamba LLS (Line Level Splitter) system is comprised of one "Stage" unit, one "FoH" unit and one "Monitor Mix" unit. The split system is available in 16X8X8, 32X16X16, 48X24X24 and 64X32X32 configuration. For example, a 32X16X16 configuration allows you to split 32 inputs at the stage to FoH and Mon mix and able to receive 16 return channels from FoH and Mon Mix units. The 16X8X8 and 32X16X16 system would operate in 96K sample rate, where as the 48X24X24 and 64X32X32 splitter system would operate in 48K sample rate.

The stage unit can be connected with up to 64 input channels, and 64 outputs via its analog DB25 connections. Standard DB25 to XLR and DB25 to DB25 cables may be used, like those compatible with Fostex or Tascam available from vendors such as Hosa and others. Connect the outputs from your micpre units or direct line level inputs to the Inputs labeled Input 1-8 to Input 57-64. Inputs connected to the stage box unit will be available to FoH and Monitor Mix units. The audio is split in digital domain thus the quality and latency are identical to both receivers. Outputs on each of the units labeled outputs 1-8 to 57-64 to your mixer or speakers, etc.

The returns from FoH and Mon are available at the stage outputs. For example, 32X16X16 splitter, 16 returns from FoH will be available at the outputs named Outputs 1-16. The returns from Mon Mix would be available on Outputs 17-32.

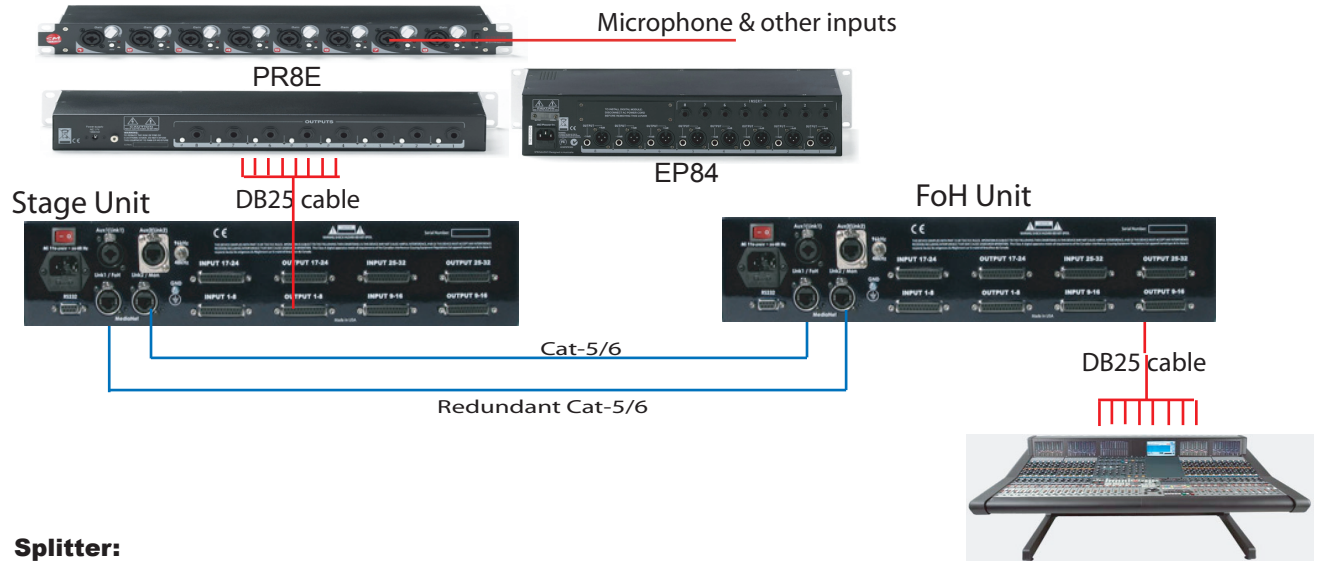


Mamba Digital Snake Manual

Connecting the Mamba with Micpre:

Point to Point:

Connect all your inputs such as Microphones, instruments and CD players etc on Micpre inputs which is XLR/TRS combo. From the back side of the micpre, connect a DB25 - TRS breakout cable (for PR8E) or DB25 - XLR F (for EP84) from the outputs (channels 1-8) to Mamba stage box inputs. The 8 channel DB25 breakout cable is ideal for each micpre box to Inputs on Mamba stage box.



Splitter:

For splitter setup, follow the below diagram. The FoH unit CAT-5 cable connects to the Link1/FoH port on the stage box. The Mon Mix unit CAT-5 connects to the Link 2/Mon port on the stage box. The channels from Stage box is sent to FoH and Mon as split. The split is done in digital domain so latency is same and signal is identical at all receivers.

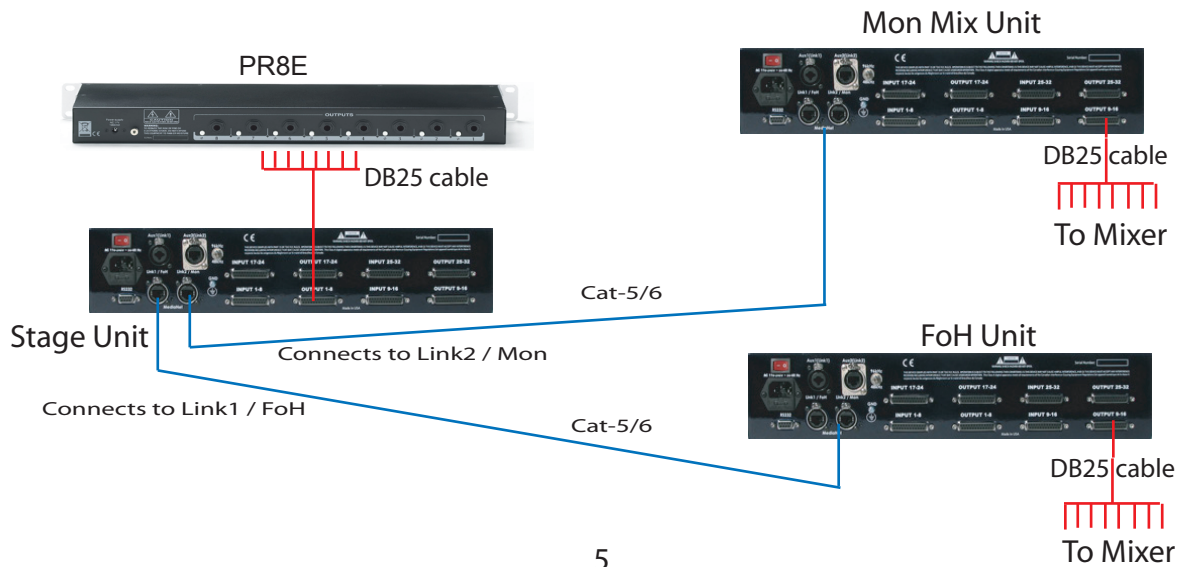
The returns at the stage box are configured as follows:

16X8X8: Outputs 1-8 are Returns from FoH (Link1/FoH) & Outputs 9-16 are Returns from Mon Mix

32X16X16: Outputs 1-16 are Returns from FoH (Link1/FoH) & Outputs 17-32 are Returns from Mon Mix

48X24X24: Outputs 1-24 are Returns from FoH (Link1/FoH) & Outputs 25-48 are Returns from Mon Mix

64X32X32: Outputs 1-32 are Returns from FoH (Link1/FoH) & Outputs 33-64 are Returns from Mon Mix



Mamba Pre Digital Snake Manual

PR8E Micpre Technical Specifications

PR8E - Multichannel Microphone Preamplifier

The new PR8-E multi-channel mic/line preamp is the vanguard of the 'next-generation' in the SMPRO range. Using the latest components available and redesigned from the ground up, the PR8-E's carefully structured single circuit board design results in an exceptionally low noise pre-amp boasting a very high gain structure. Tailored to suit a wide variety of applications, the PR8E is perfectly suited for use as a front-end device for many hard disk recording systems, as well as adding additional mic pre's to digital mixers and sound cards.

Each pre-amp features its own XLR/TRS jack 'Combo' input connector, 48v phantom power switch for the mic-pre and a built-in -20dB pad in the 1/4" (6.5mm) TRS line-in jack sockets. Individual phase reversal switches are provided next to the eight balanced 1/4" (6.5mm) TRS output sockets on the rear panel. All this is housed inside a hardened steel chassis, complete with rack mounting panels.

Each mic-pre provides some 60dB of gain with a massive 23db of maximum output! Ultimately however, the quest is about sound quality. To this end, the PR8-E is certainly designed to deliver and will outperform just about any other device in its class.

8 x discrete microphone preamplifiers
Ultra-Wide Dynamic Range
Low-Noise Operating Levels
XLR/combo Inputs, TRS Outputs
48V Phantom Power per channel
Phase Reverse per channel
Gain control per channel
Peak Light Per channel

Mic Input:
Connector: XLR COMBO
Type: Balanced
Impedance: 4K7 Ohms
Min sensitivity: -60 dB
Peak input level: +9.5 dB
Phantom Power: +48V, (switchable)

Line Input:
Type: Balanced 1/4" on combo
Impedance: 47K
Min sensitivity: -35dB
Peak input level: +32 dB

Output:
Connector: 1/4 jack (balanced TRS)
Type: Balanced
Impedance: 600 Ohms
Peak output level: +23dB
Frequency response:
20Hz- 20KHz 0dB- -0.5dB
Distortion: 0.005%
S/N: > 105dB
Crosstalk rejection:
>120dB @1KHz; -20dB input
Max Gain: 58dB

Front view



Back view

For more information on PR8E, Pls visit:
<http://www.smproaudio.com/>

Mamba Pre Digital Snake Manual

EP84 Micpre Technical Specifications

EP84 - Multichannel Microphone Preamplifier

The EP84 is the latest multi-channel microphone preamplifier from SM Pro Audio. Packed with quality features and connectivity options, this sturdy 2RU rack-mountable unit is designed to provide studio users with 8 channels of pristine microphone preamplification. The EP84 is the perfect front end for computer audio systems, stand-alone hard disk recorders, or just about any other analog or digital workstation. With all the functionality of a top line preamplifier, the EP84 features independent variable gain control, -20dB pad, phase reverse, low cut filters, 48v Phantom power, and insert points on each of the eight (8) channels.

Each mic-pre provides some 60dB of gain with a massive 23db of maximum output. Eight (8) ADAT format channel outputs can be added to the EP84 via installation of the optional PR8IIA ADAT output module. With this simple user installed option, the EP84 integrates superbly into today's digital studio environments without a hitch. Great for connection to the latest ADAT compatible audio interfaces, the EP84 expands your recording possibilities. Why not make use of the features you have and mic up the whole band!

8 x discrete microphone preamplifiers
Modular PCB design
Ultra-Wide Dynamic Range
Low-Noise Operating Levels
48V Phantom Power per channel
-20dB Pad per channel
Phase reverse per channel
Gain control per channel
Peak Light Per channel
80 Hz Low cut filter per channel
Insert points per channel

Mic Input:
Connector: XLR COMBO
Type: Balanced
Impedance: 47K Ohms
Min sensitivity: -60 dB
Peak input level: +9.5 dB

Line Input:
Type: Balanced 1/4" on combo
Impedance: 47K
Min sensitivity: -35dB
Peak input level: +32 dB

Output:
Connector: 1/4 jack, XLR
Type: unbalanced, balanced
Impedance: 600 Ohms
Peak output level: +23dB
Frequency response:
20Hz- 20KHz 0dB- -0.5dB
Distortion: 0.005%
S/N: > 105dB
Crosstalk rejection:
>120dB @1KHz; -20dB input
Max Gain: 58dB

Front view



Back view



For more info on EP84 micpre, pls visit:
<http://www.smproaudio.com/>

RS232 Serial Communication Feature

The RS232 port (DB9 female connector) is available in Mamba Digital Snake for connecting number of terminals such as remote control, PC, terminals, Intercom terminals and other devices that are equipped with RS232 communication.

The RS232 feature in Mamba Digital Snake is a pass thru communication. This means, any device that supports RS232 can plug in on one side of the Mamba Digital snake (e.g FoH) and communicate to other side of snake (e.g Stage). The information sent by the FoH side will be available on the Stage Box RS232 port. All information sent by a device at one end is available at the other end with out any modification.

The RS232 port available on Mamba Digital Snake is bidirectional, which means both devices at either end of RS232 can send and receive information at the same time.

The settings for RS232 are: [You need to set these on your terminal on both ends prior to any RS232 control communication]

Baud Rate: 19200 kbps

Data: 8 bits

Stop bits: 1

Parity: None

No flow control (both Software and Hardware)

Mamba Digital Snake will support only the above settings for proper operation. Also, note that Mamba does not guarantee the control information. It is important that any application that wishes to use RS232 has in-built handshake such as ACK (message received OK) and NAK (message is not Ok) for any control message sent to other side. This simple verification would allow you to have a guaranteed control communication.

RS232 feature in Point-to-Point Mode:

When Mamba is connected in point-to-point mode, RS232 feature is between Stage and FoH.

RS232 feature in Split Mode:

In Split Mamba system, the RS232 feature is available from FoH box to Stage box. The RS232 feature is not available between Mon Mix and Stage box.

If you have further questions on RS232, please call or email NetworkSound technical help for answers.

Mamba Digital Snake Technical Specification

Analog Input:

Maximum input level = +22 dBu
SNR=101 dB
THD+N (1kHz @ -1dBFS) = 0.0026%

Latency:

Digital snake delay (I2S-I2S) is less than 200 microseconds
End to end Analog delay = ~ 600 microsec @ 96K and 1 ms @ 48k

Audio Connectors (DB25):

DTF / DTP / DTM-800 Series from Hosa compatible with
TASCAM & FOSTEX

Ethernet Connectivity:

100 Mbps Full-Duplex Transmission
Built in cable redundancy in case of cable failure
CAT-5 Cable up to 140 meters
Neutrik Ethercon connector for durability

Power Requirements:

Universal power supply rated for 110-240 VAC 50-60 Hz
Max Watt: 32X32 channel = 30 W
64X64 channel = 45 W
On/Off Switch
External fuse on power input. IEC connector

Link 1 / FoH

Medianet synchronized Audio over CAT-5
Neutrik RJ45 for ruggedized connectors
Standard CAT-5 or CAT-6 cable
Up to 140 m or 450 feet over a standard CAT-5 (UNH test lab certified)
Point to point Mode operates as Link 1 (Main Link)
Split Mode operates as Link to FoH
100 Mbps Ethernet
Max 64 X 64 bi-directional channels @ 48K
and control as well as Aux 1 over a single CAT-5

Link 2 / Mon

Medianet synchronized Audio over CAT-5
Neutrik RJ45 for ruggedized connectors
Standard CAT-5
Upto 140 m or 450 feet tested over a standard CAT-5 (UNH test lab)
Point to point Mode operates as Link 2 (Redundant CAT-5)
Split Mode operates as Link to Mon Mix
100 Mbps Ethernet
Max 64 X 64 bi-directional channels and control as well as Aux 1
over a single CAT-5

RS232:

Pass thru RS232 from FoH to Stage or Stage to FoH
Bi-directional
19200 Kbps, 8 data bits, no parity, No flow control
DB9 connector (Female)
(use for Remote control or any other control terminal that has RS232)

Aux1:

2 pair of CAT-5 available for any use
Pass thru over Link 1 / FoH CAT-5
RJ45 Neutrik Ethercon or XLR F TRS combo or XLR M (Options)
RJ45 - 1,2,3,6 - Use for LAN or IP traffic
XLR - Hot, cold, and Ground Use for Intercom, Analog pass thru
Available only when direct CAT-5 is connected between
mamba boxes
(wont work if any Ethernet switches in middle)

Analog Output:

Maximum output level = +22 dBu
SNR = 114.6 dB
THD+N (1kHz @ -1dBFS) = 0.0043%

Operating Temperature:

-0° C to 50° C

Storage Temperature:

-25° C to 70° C

SNR and THD+N:

[Click here for details](#)

Warranty:

Two year Limited warranty

Fiber Support:

External Media converters for single and multi-mode
fiber extension*

Approvals:

FCC, Canada, CE

48K / 96K switch:

Select the sample rate between 48K and 96 Khz
48K will allow max of 64X64 channels
96K will allow max of 32X32 channels
(All boxes should have same sample rate for proper operation)
64X64 channel will work as 32X32 if 96K mode selected
32 X32 channel will work as 32X32 in both 48 or 96 mode

Front Panel:

Power LED, Link 1 LED, Link 2 LED
Sync LED (Boxes indicate that they are in Sync)

GND (Ground)

Chassis Ground
Connect a 6-32 screw with any GND connection

DB25 - Analog IN and Out

Compatible with TASCAM / Fostex standard
Each DB25 has 8 channels
Hosa and other DB25 break out cables

Rack mountable Chassis:

2U for 16X16 and 32X32
3U for 48X48 and 64X64
Solid steel and cutout to dissipate any heat

Aux 2:

2 pair of CAT-5 available for any use
Pass thru over Link 2 / Mon
RJ45 Neutrik Ethercon or XLR F TRS combo or
XLR M (Options)
RJ45 - 1,2,3,6 - Use for LAN or IP traffic
XLR - Hot, cold, and Ground Use for Intercom,
Analog pass thru
Available only when direct CAT-5 is connected between
mamba boxes
(wont work if any Ethernet switches in middle)

NetworkSound, Inc. Mamba Digital Snake Trouble shooting Guidelines

Your Mamba snake system has been tested extensively at NetworkSound facility before shipped to you. If you see any damage to the shipment or Mamba system, please notify NetworkSound immediately at 1 408 434 9393.

There are no serviceable parts inside the Mamba system. If you have any problem with the system, please follow these simple tests to isolate the problem or call us at 1 408 434 9393 for phone support to isolate the problem. You can also email to support@networksound.com

1. Power:

- > After connecting power cord, the RED LED should be ON. The power supply is rated for 110-240VAC. If there is no power to the Mamba system (No RED LED), make sure your outlet and power cable is connected properly and power from outlet is ok. You can check the power outlet by connecting the power cord to another device and make sure it powers up.
- > If still no power to Mamba system, you can check the external fuse on the power connector on the Mamba. Make sure that you remove the power cord and disconnect any cables to the Mamba system. Remove the fuse and see if the fuse is ok. If you see the fuse is blown, then replace with a same current rated fuse. Even after replacing the fuse, you still have no power, then call NetworkSound, Inc at 408 434 9393

2. CAT-5 Links:

- > Your Mamba system has 2 RJ45 to connect from Stage Box to FoH box. You can connect one or both for normal operation. The Mamba provides you built-in cable redundancy feature. If you have both CAT-5 cables connected, the system will function normally even if one of the cable is severed during live operation.
- > If you connect a CAT-5 cable from stage to FoH, you should see the LINK LED lit on both sides. Make sure power is on for both systems. If you have no LED, please check the CAT-5 cable. Mamba will work on straight CAT-5 cables. You can try the CAT-5 cable on the other RJ45 to see if that connection is OK.
- > If you don't see any LINK LED, make sure your CAT-5 cable is ok. You can check it by connecting to a working system such as your laptop to a switch etc.
- > If all fails, please call NetworkSound at 1 408 434 9393

3. Audio Input and output:

- > The audio input and output at Mamba are balanced line level via DB25. The DB25's are standard Hosa or Fostex compatible. Your audio inputs from stage is matched one-to-one at the FoH output. In same way, audio input from FoH box is matched one-to-one at the Stage box. If you have any problem with a single channel, just try the same connector with another channel to see if it works. If you still have problem, try a new DB25 to another set of 8 channels and see if they work
- > If the problem still exist, then call NetworkSound at 408 434 9393

4. Sync LED

- > If power and Link LEDs are ON and for any reason, sync LED is not ON, power reset the units and see if the sync LED is ON. If still problem exist, pls call NetworkSound at 408 434 9393

NetworkSound, Inc. Limited Warranty

NetworkSound, Inc. warrants this product against defects in materials and workmanship for a period of **two (2) years** from the date of the original purchase. This warranty does not apply if the equipment has been damaged due to misuse, abuse, accident, or problems with electrical power. The warranty also does not apply if the product has been modified in any way, or if the product serial number has been damaged, modified, or removed.

If a defect is discovered, first write or call [408 434 9393] NetworkSound, Inc. to obtain a Return Authorization number. No service will be performed on any product returned without prior authorization. NetworkSound, Inc. will, at its option, repair or replace the product at no charge to you. The product must be returned during the warranty period, with transportation charges prepaid to NetworkSound, Inc., 2381 Zanker Rd, Suite 120, San Jose, CA 95131. You must use the product's original packing materials for shipment. Shipments should be insured for the value of the product. Include your name, address, phone number, description of the problem, and copy of the original bill of sale with the shipment. The Return Authorization number should be written on the outside of the box.

THIS LIMITED WARRANTY GIVES YOU SPECIFIC LEGAL RIGHTS. YOU MAY HAVE OTHER RIGHTS, WHICH VARY FROM STATE TO STATE (OR JURISDICTION TO JURISDICTION). NETWORKSOUND'S RESPONSIBILITY FOR MALFUNCTIONS AND DEFECTS IN HARDWARE IS LIMITED TO REPAIR AND REPLACEMENT AS SET FORTH IN THIS LIMITED WARRANTY STATEMENT. ALL EXPRESS AND IMPLIED WARRANTIES FOR THE PRODUCT, INCLUDING BUT NOT LIMITED TO ANY IMPLIED WARRANTIES OF MERCHANTABILITY AND FITNESS FOR A PARTICULAR PURPOSE, ARE LIMITED IN DURATION TO THE WARRANTY PERIOD SET FORTH ABOVE. NO WARRANTIES, WHETHER EXPRESS OR IMPLIED, WILL APPLY AFTER SUCH PERIOD. NETWORKSOUND, INC. DOES NOT ACCEPT LIABILITY BEYOND THE REMEDIES SET FORTH IN THIS LIMITED WARRANTY DOCUMENT. NETWORKSOUND, INC.'S LIABILITY IS LIMITED TO THE REPAIR OR REPLACEMENT, AT OUR OPTION, OF ANY DEFECTIVE PRODUCT, AND SHALL IN NO EVENT INCLUDE INCIDENTAL OR CONSEQUENTIAL DAMAGES OF ANY KIND. SOME STATES DO NOT ALLOW EXCLUSIONS OR LIMITATION OF IMPLIED WARRANTIES OR LIABILITY FOR INCIDENTAL OR CONSEQUENTIAL DAMAGES, SO THE ABOVE LIMITATIONS MAY NOT APPLY TO YOU.

NetworkSound, Inc
2381 Zanker Rd, Suite 120
San Jose, CA 95131. USA

Ph: 408 434 9393
Email: info@networksound.com

Mamba Digital Snake Manual

SAFETY INSTRUCTIONS

1. Heat

This product should be situated away from any source of heat such as heaters, radiator ovens, microwave ovens and other excessive heat producing appliances.

2. Ventilation

Please make sure that there is no hindrance to the air flow cut outs on the side of the products. It is advised that there is ample room for the air flow thru the cutouts. If the product is installed along with other products in a rack, make sure a air flow system (FAN) is operating while the product is in use.

3. Liquid, Water and Moisture

This product should never be used near water, liquid or moisture. Please make sure no liquid or moisture can leak in to product

4. Grounding

Make sure you connect the chassis ground on the product to common ground. It is always Recommended that a product is properly grounded and polarized to avoid serious risk or damage.

5. Cleaning

The product should be cleaned only outside with a soft cloth. Do not use water or detergent to clean the product. It may damage the finish and cause problem with proper operation.

6. Power cord safety: It is recommended that power cord to this product is connected and routed safely so no one trips or pinched, rubbed or worn by potential objects.

7. Period of inactivity: Please remove the power cord when the unit is not used for long period.

8. Repair and service: This product should be serviced by qualified personnel ONLY. Do not attempt to open or service this product. Please read the warranty section and contact NetworkSound ASAP.

CAUTION

To reduce the risk of electrical shock, do not remove the cover of the unit or any connectors on rear or front panels. Do not insert any sharp or foreign object to heat dissipation cutout on the side. There are no serviceable parts on the Mamba Digital Snake System. Please call NetworkSound for any problems or service requests.

WARNING

To reduce the risk of electrical shock or fire or damage to the product, please do not expose this product to rain or moisture or fire hazards.